

BE BUMPING
PARTNERS

HPRESS

Series

Multistage horizontal Stainless steel self-priming booster set with permanent magnet motor and built-in variable frequency driver.



hydro®

HYDROO is present in all the European markets by means of a distribution network focused on the service and the valuation of the pumping business. HYDROO conceives, researches, develops, designs, industrializes, and manufactures a wide range of pumping solutions for the most demanding applications in industrial markets, irrigation, water supply and water treatment as well as in residential and commercial buildings. The values of operational excellence, experience, reliability, and passion for a well-done job guide the daily work of the Hydroo team together with our partners and distributors. The global challenges of water management require excellence in pumping technologies and a joint effort between designers, manufacturers, and pumping engineers. To meet the needs of the market in the more demanding installations Hydroo is firmly committed to manufacturing the best pumping equipment on the market following and sharing our values worldwide.

The Hydroo values are presented in 5 great concepts that we summarize in our motto Hy5, which are our principles and commitments:

BE PUMPING PARTNERS



Parc Natural del Montseny
(Vallès Oriental county, Catalonia)

The Montseny, Biosphere Reserve is a mosaic of Mediterranean and Central European landscapes. Its extraordinary biodiversity and the cultural footprint that man has left over time, present a universal value that has inspired artists, intellectuals and scientists, and that awakens the emotion of the people who visit it.

Coordinates:
Longitude: 2.44042
Latitude: 41.74003



hymotion

Value proposal based on the reliability of products enhancing the quality, the development of efficient supply chains, the productivity with the love of craftsmen at every step of the manufacturing and production lines. We move with the commitment to improve pumping systems, make them more efficient, more reliable, more digitized, more at the service of the human development.



hylite

Contribution to preservation of the environment and to sustainability. We reduce the environmental impact and footprint of carbon. We contribute to the development of the circular economy. Our team stand out for the highest standards of energy efficiency.



hyficient

The use of the most advanced analytical, development and simulation tools allows us to optimize our R&D teamwork results. We maximize the study of materials, efficient hydraulics, mechanical improvements and the optimization of our motors up to 200 kW. The results are robust, reliable, flexible, adjustable, multipurpose, and user-friendly pumping equipment.



hynovative

Commitment to implementation of the innovation process as strategic pillar of the company. Transfer new ideas to realities that evolve pumping industry and internalize the process in each job position to offer market improvements.



hyliance

We are the factory of our customers. Without solution of continuity between the value chain starting in the components production plants and ending with amortization of the pumping equipment operating at full performance for years and giving satisfaction to distributors, project engineers and pumping systems managers. We make real our catchphrase **Be Pumping Partners**.

HPRESS

Smart booster set.

Description

Multistage horizontal stainless steel pump equipped with a permanent magnet motor and an integrated variable frequency drive.

An efficient and intelligent pumping solution designed for the most demanding residential water supply applications.

Operates with very low acoustic pressure below 55 dB(A) making it suitable for installation in confined indoor spaces



Performance range

Flow range: up to 20 m³/h
Head: up to 70 m
Self priming: up to 8 m
Temperature: up to +40 °C
Speed: 2900 rpm up to 5.000 rpm
Power: up to 2,2 kW
Motor efficiency IE5

Operation conditions

Clean, non-flammable and non-explosive liquid.

Material

AISI304 SS.
 Diffusers in Technopolymer.

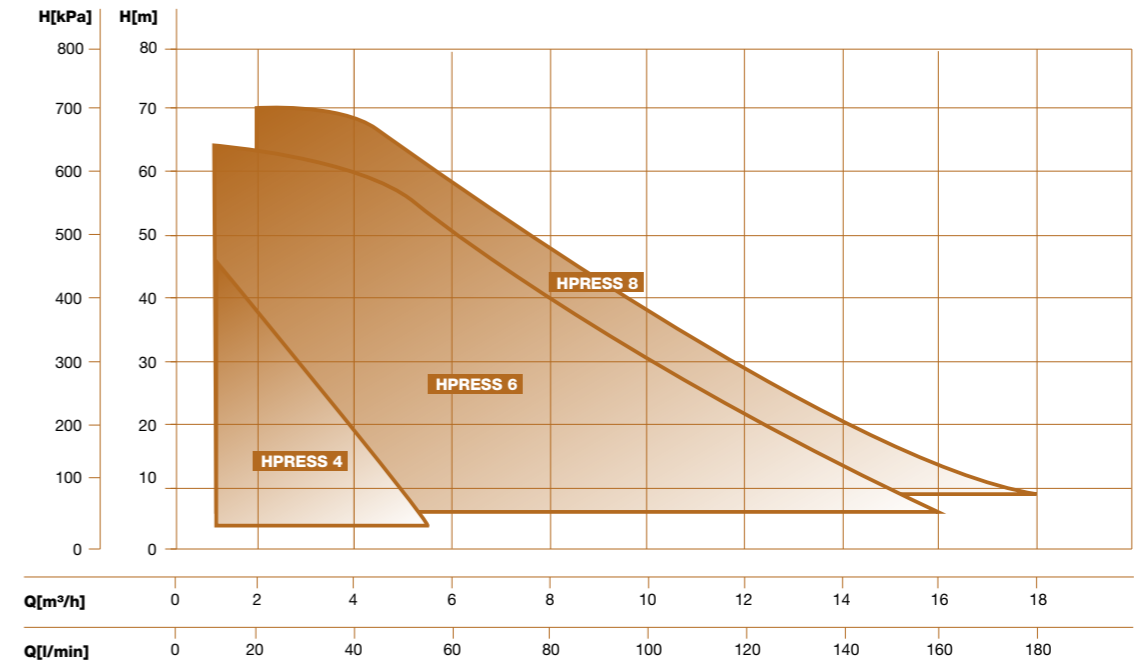
Applications

- Domestic water supply and boosting
- Garden and irrigation

Technical features

- Pump casing and impellers made in AISI304 SS, diffusers in techno polymer.
- Easy to play, automatic function with a simple LCD display.
- Permanent magnet synchronous motor:
 - HPRESS 4: 1PH, 160-260V, 50/60Hz, 0.75kW
 - HPRESS 6: 1PH, 160-260V, 50/60Hz, 1,5kW
 - HPRESS 8: 1PH, 160-260V, 50/60Hz, 2,2kW
- Wide range of flow and head performance and best in category efficiency and reliability.
- Full motor protections including dry running, motor overload, leakage and overheating.
- HPRESS 6&8 can be installed in sets up to 6 pumps connected among them working in cascade.
- Contact our AED staff for further details about the manifold dimensions, accessorizes and other special features available

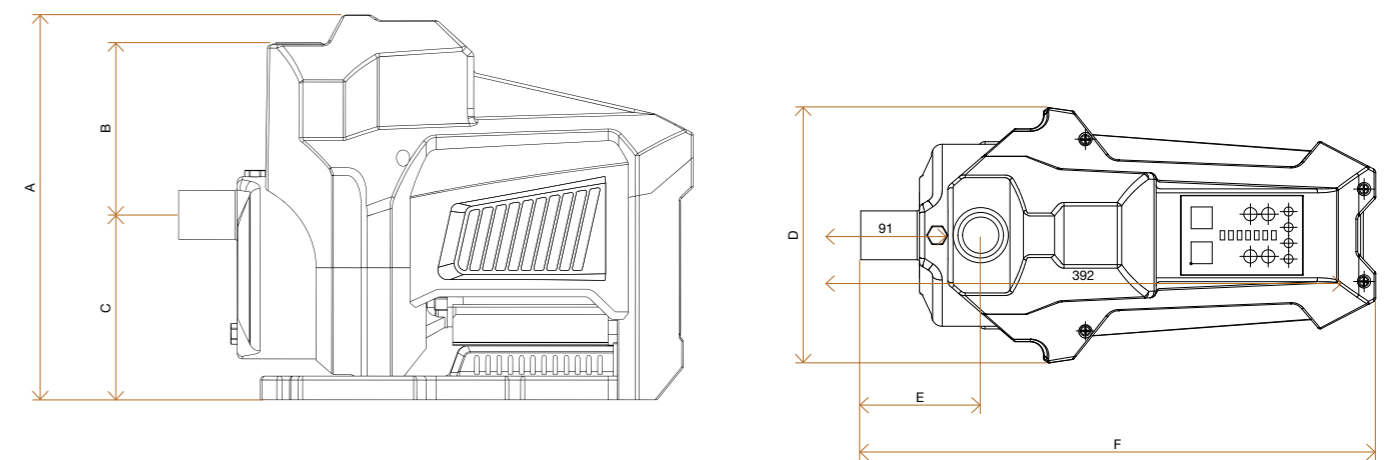
Performance scope



Performance table

Model	P2	Q. max	H. max	Rated flow	Rated pressure	Suction diameter
	kW	m ³ /h	m	m ³ /h	m	mm
HPRESS 4	0,75	5,8	50	3	31	25
HPRESS 6	1.5	16	60	6.5	45	50
HPRESS 8	2.2	20	68	8.5	45	50

Installation sketch



Installation dimensions

Model	DNA	DNI	A	B	C	D	E	F	Packaging	Kg
HPRESS 4	G1"	G1"	290	132	140	194	91	392	230x430x340	8
HPRESS 6	G2"	G2"	380	160	220	194	70	492	580x430x275	23
HPRESS 8	G2"	G2"	380	160	220	194	70	492	580x430x275	26



202512-CTL-HPRESS-EN
subject to amendments

BE PUMPING PARTNERS

HYDROO **Pump Industries SL**

Carrer La Banyeta Nova, 11
Poligon Industrial La Banyeta
17843 Palol de Revardit
Catalonia. Spain

Tel. +34 972 394 654
E-mail: info@hydroo.com

www.hydroo.com



hydroo[®]